

The Wall Bracket is a home accessory that allows the Milford Lift to be used from a stationary position. This application is particularly useful in bathrooms or bedrooms where space may be too limited to allow the use of our Smartbase accessory.

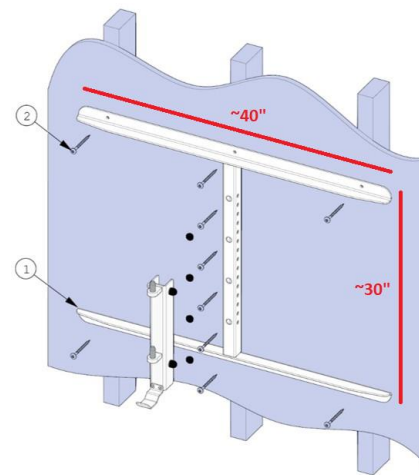
Each Wall Bracket installed in the home will need a rechargeable battery pack (sold separately).

Wall Brackets should ONLY be installed on load-bearing walls. In certain cases, reinforcing the wall may need to be considered.

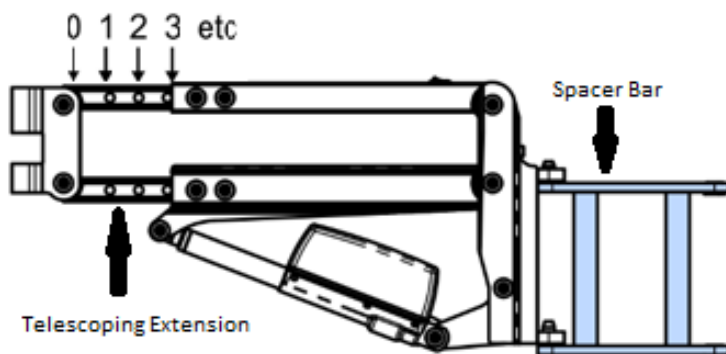
Adding Spacer bars allows for additional reach and articulation, but will reduce safe-lifting capacity.

Things to consider for install planning:

- Designed to be installed on a stud wall with US standard 16" spacing between studs.
- Minimum Reach = 39" (no spacers, no ext.)
- Maximum Reach = 70" (two 12" spacers, full ext.)
- Height of Wall Bracket will need to be considered for each client situation.
- Expected install time of Wall Bracket is 1 – 2 hours, but other factors may need to be considered for each client situation.
- Wall Bracket about 30" x 40" of wall space to be mounted.



Spacer Bar & Telescoping Extension



Spacer Bars are used to extend the Milford's reach when it is being used with a Wall Bracket. This allows for a larger operating range and more articulation in awkwardly shaped spaces.

In addition to Spacer Bars, the Milford Telescoping Extension can be lengthened for extra reach. This will also allow the Milford to reach higher and lower, if needed.

The addition of Spacer Bars or lengthening the Telescoping Extender will reduce the safe lifting capacity. As a rule, the longer the length, the less weight the Milford can safely lift. Please ask about safe lifting capacity!

No more than two Spacer Bars can be used simultaneously.

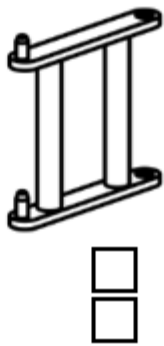
3"



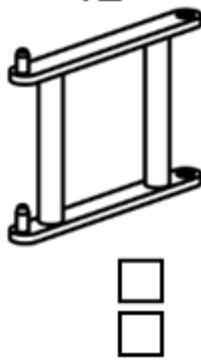
6"



9"



12"



Check the boxes to the left to select your desired Space Bars.

Rechargeable Battery Packs

The Rechargeable Battery Pack allows your Milford to operate with our Wall Bracket and Smartbase options, giving you freedom to use your Milford where you need it most!

- Features a built in LED gauge that displays remaining power
- Protected against overcharge and overheating
- Compact size at only 2.75" x 3.75" x 5.75"
- Durable case with waterproof design!
- Expected 40 Hours battery life with typical use.



Number of Battery Packs needed: _____

Spreader Bar



Sm (11.25") _____ Med (13.5") _____ Lg (17.5") _____

The Spreader Bar should be at chest height when lifting the client. In some cases, a protective padded cover may be appropriate for the client.

Spreader Bar Covers are additional cost, and not available for Large Spreader Bars (used with XL Slings)

Spreader Bar Cover: Yes _____ No _____

More ways to use your Milford!

The Smartbase



Make your Milford mobile with the Smartbase from Autochair! The Smartbase allows the Milford to be positioned around your home as needed for easy transfers.

- Can lift up to 330lbs
- Wheels lock for safety and stability
- Simple to assemble and operate
- Leg width can be adjusted to suit the space
- Rechargeable battery included
- Portable – Folds flat for easy storage

Add Smartbase to quote? Yes _____ No _____

Please contact us with any questions at sales@mobilityinnovators.com